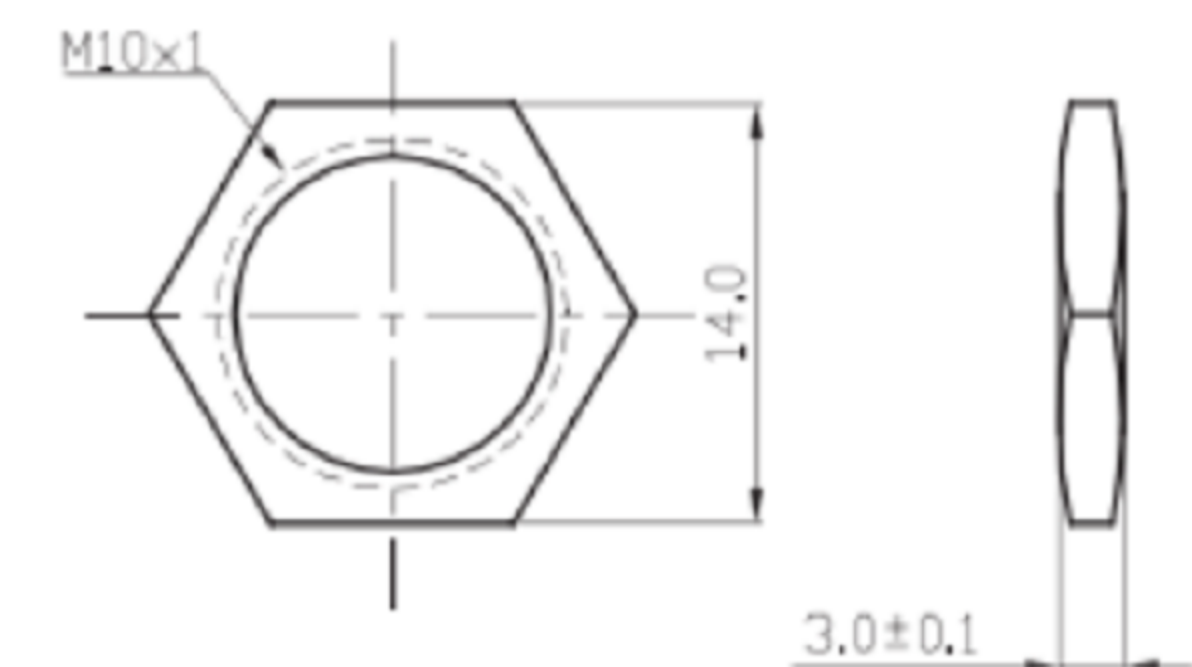


螺母配件



**SPECIFICATION 規格:**

**Rating 額定:**

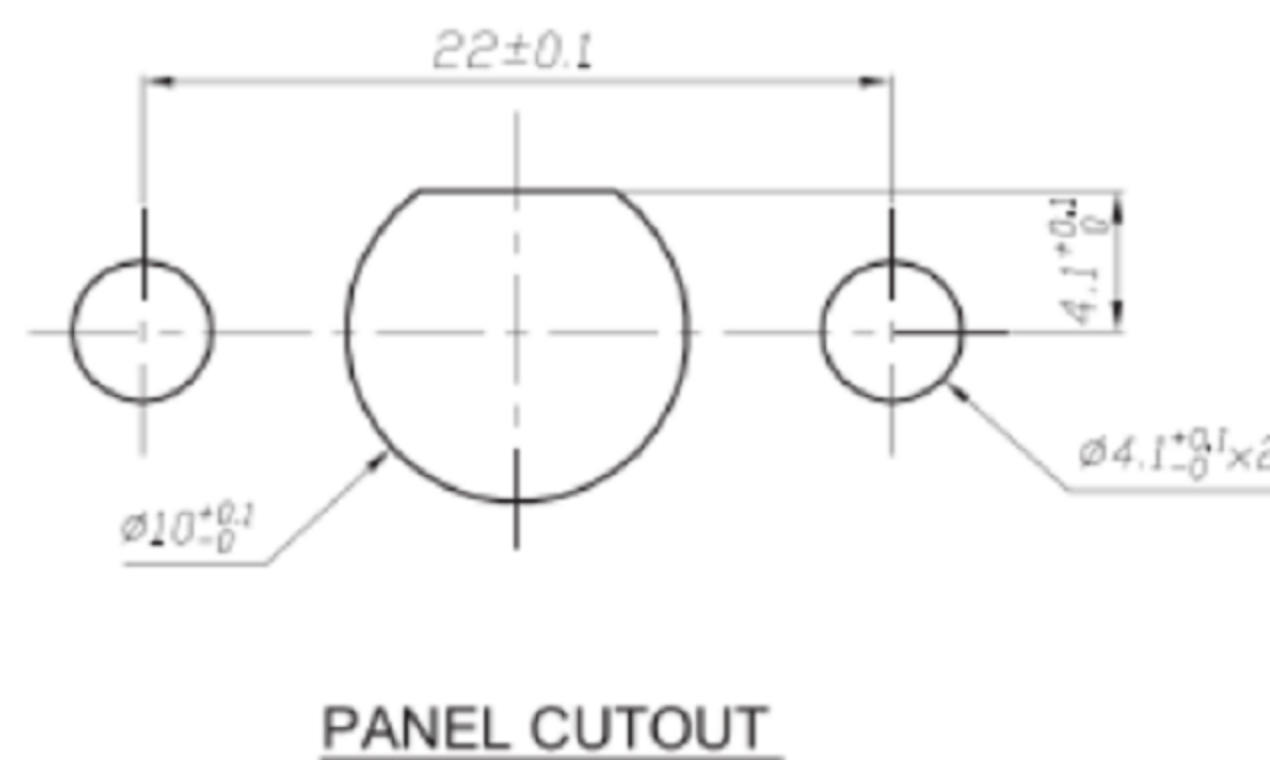
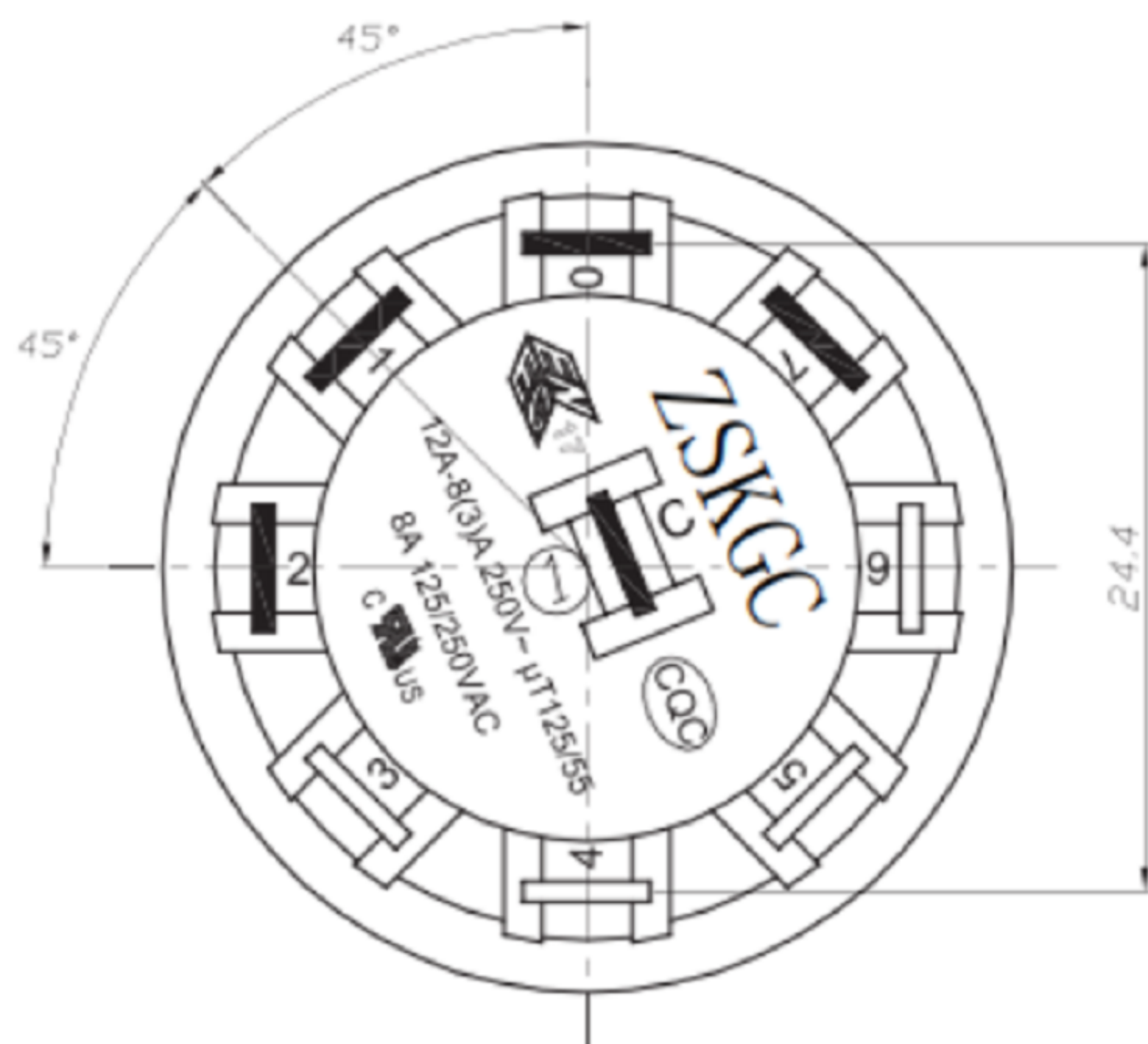
8A 125/250VAC (UL,CUL)  
12A-8(3)A250V-μT125/55(ENEC17,CQC)

**Material (材質)**

- (柄) ACTUATOR: PA66+30%GF(UL 94V-0)
- (上蓋) CAP: PA66(UL 94V-0)
- (基座) BASE: PA66(UL 94V-0)
- (端子) TERMINAL: BRASS/COPPER ALLOY SILVER PLATED

**Electrical (電氣性能)**

- (接觸電阻) INITIAL CONTACT RESISTANCE: 50mΩ Max
- (操作力量) OPERATION FORCE: 600±300gf/1300±500gf/1000±3000gf
- (絕緣電阻) INSULATION RESISTANCE: 100MΩ Min 500VDC
- (耐電壓) WITHSTAND VOLTAGE: 1KVAC FOR 1 MINUTE
- (電氣壽命) ENDURANCE: 10,000 CYCLES Min



ITEM NO.	DESCRIPTION	DRAWN	DATE
2	公差及料號更新	Jack	072313
1	圖面更新	Frank Wu	021012

**東莞市高迪電子有限公司**  
**DONG GUAN GAO DI ELECTRONICS CO., LTD**

TOLERANCE UNLESS OTHERWISE STATED:  
 Up to 5 ±0.2  
 Above 5 ~ 15 ±0.3  
 Above 15 ~ 30 ±0.4  
 Above 30 ~ 50 ±0.5  
 Angle ±0.3°

3RD. ANGEL'S  

 UNITS MM

DRAWN BY:	DATE	MAT'L	TITLE	Rotary switch
Ming Ming Zou	07/23/13	FINISH	MODLE	Rotary switch
CHECKED BY:	DATE	SCALE	DWG NO.	GD-MFR01-A2F03L1S-R
Ning Ning Su	07/23/13	1:1	PART NO.	
APPROVED BY:	DATE	SHEET NO.	1 of 1	
Jia Xiang	07/23/13			

SIZE	A4
VER	R2